

RAMMER 2577E



EXCELLENCE LINE

FACTORY
INSTALLED
RD3 FOR
MYFLEET

RAMVALVE

RAMLUBE II (OPT.)

MEMBRANE TYPE
ACCUMULATOR

DOUBLE TOOL RETAINING
PIN STRUCTURE

FBE (FIXED BLOW ENERGY)

UPGRADED GREASING
FOR TOOL BUSHINGS

VIDAT TIE RODS

EASY IBP ADJUSTMENT

HARD WEAR PLATES

SIMPLE LOWER TOOL
BUSHING ROTATING OR
REPLACEMENT

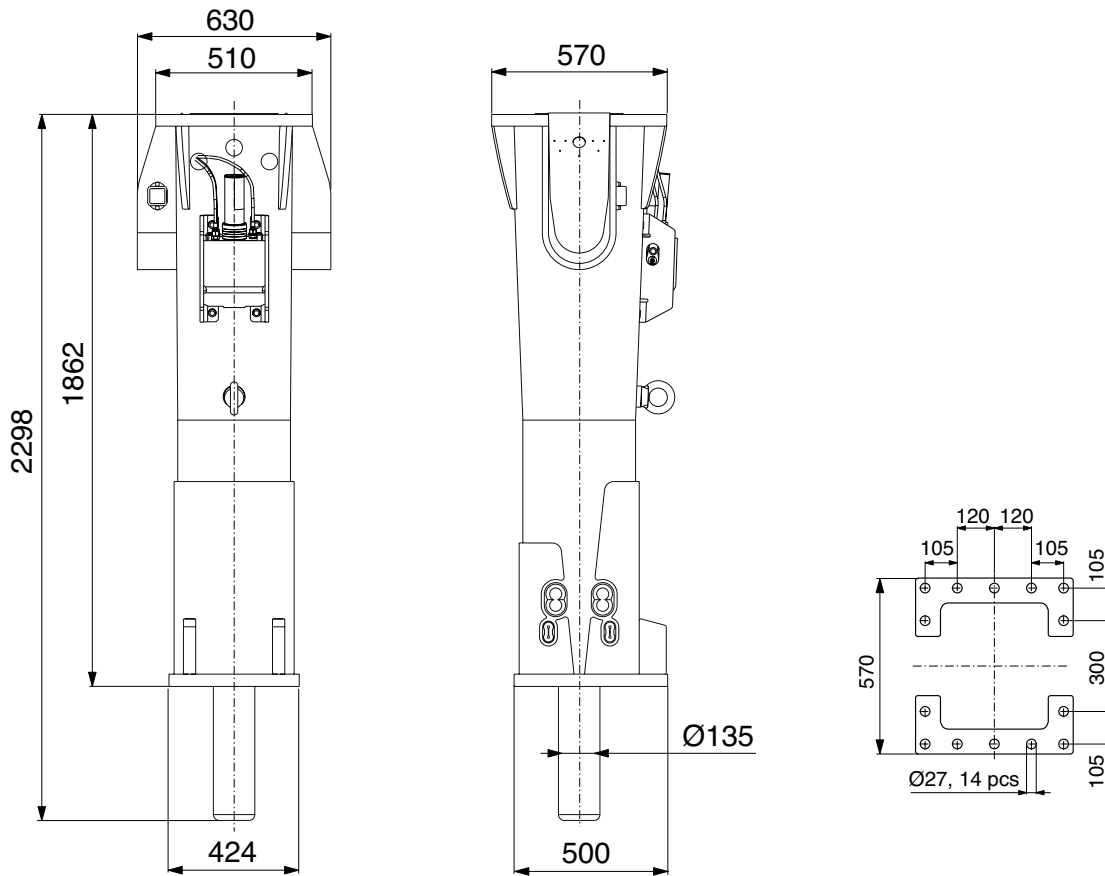
ACCUMULATOR FILLING
POINT ON SIDE

EXCELLENCE LINE HITS SMARTER

The Rammer Excellence Line is a set of state-of-the-art hydraulic hammers for all your rock breaking needs. All Excellence Line hammers now have integrated smart technology for easier fleet management and more efficient processes.

Read more about the product from
www.rammer.com/excellence

**Ram
mer**[®]



SPECIFICATIONS

Minimum working weight, kg (lb)	1760 (3880)
Impact rate, bpm	450-750
Operating pressure, bar (psi)	135-145 (1960-2105)
Pressure relief, min bar (psi)	190 (2755)
Pressure relief, max bar (psi)	240 (3480)
Oil flow range l/min (gal/min)	140-200 (37.0-52.8)
Back pressure, max bar (psi)	10 (145)
Input power, kW (hp)	48 (64)
Tool diameter, mm (in)	135 (5.31)
Carrier weight, allowed range t (lb)	21-32 (46300-70500)
Noise level, measured sound power level, LWA, dB	120
Noise level, guaranteed sound power level, LWA, dB	124

TOOLS

Chisel	Blunt
Hard rock chisel	Super blunt
Moil point	Limestone chisel
Pyramid	

PARTS

Service kit 1	Special tool grease
Service kit 2	Meissel paste

Sandvik Mining and Construction Oy
 Taivalkatu 8, P.O.Box 165
 FI-15101 Lahti, Finland
 Phone Int. +358 205 44 151
 rammer@sandvik.com
 www.rammer.com

